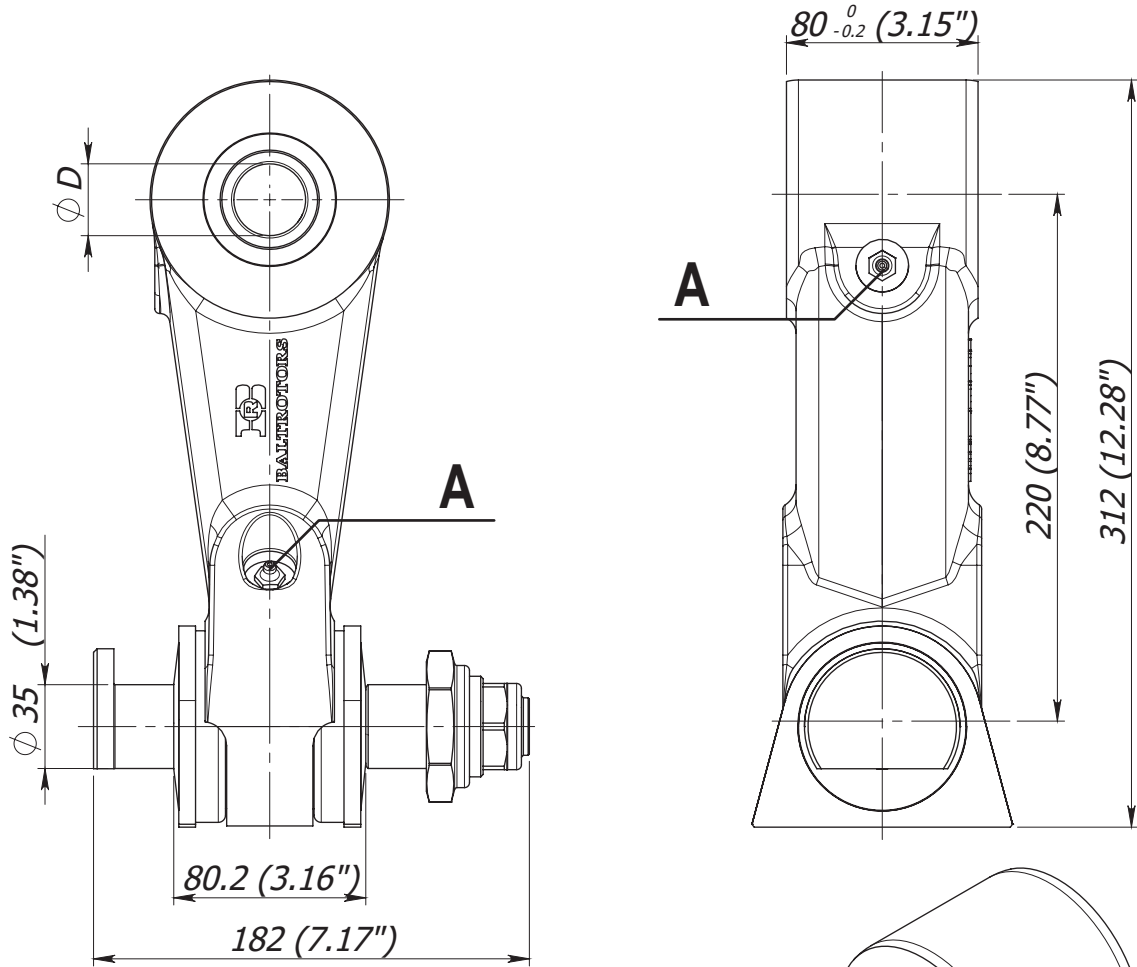
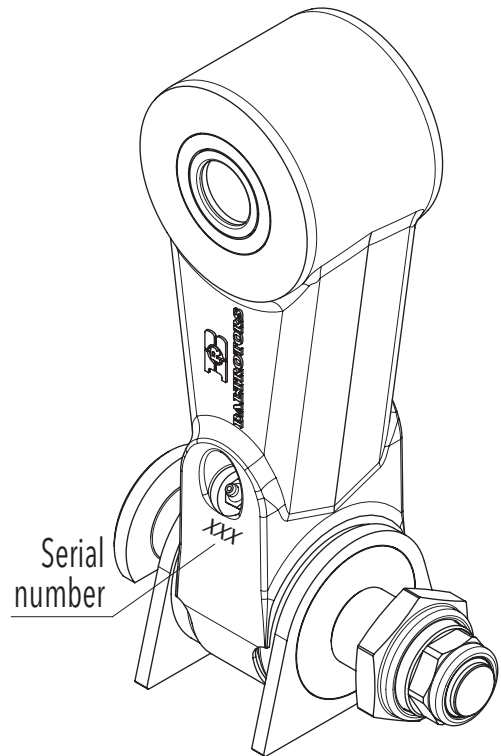
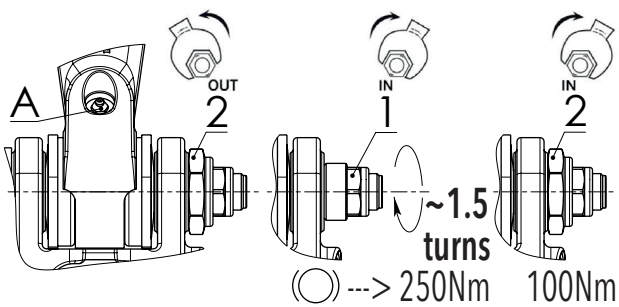


# Swing damper BR20KS



Link	Diameter D (mm)	Weight (kg)
BR 20 KS/45	45 (1.77")	13.65 (30.00 lb)
BR 20 KS/35	35 (1.38")	13.99 (30.84 lb)
BR 20 KS/30	30 (1.18")	14.14 (31.17 lb)



To adjust the brake of the link, following actions have to be done:

- unscrew / release the Lock nut (pos.2)
- screw the Adjusting nut (pos.1) until the Disc spring starts to clamp
- tighten the Adjusting nut (pos.1) **~1.5 turns**, that will provide braking moment of **250 Nm** (185 lb ft)
- tighten the Lock nut (pos.2) with tightening torque 100 Nm (74 lb ft).

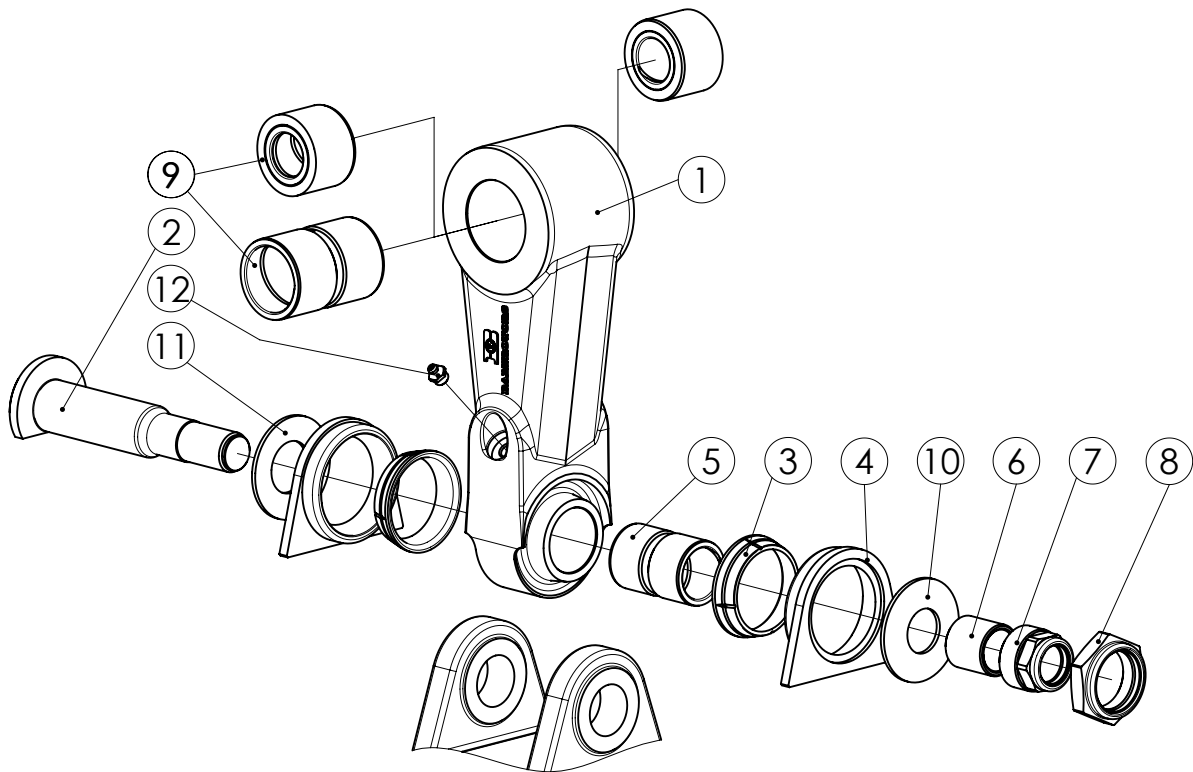
**Max. Load - 10 ton (100 kN)** (22485 lbf)

Greasing of lower slide bearing and brake cones is done through lubricating nipple (A). Fill grease Statoil Uniway Li62 (or equivalent) until it will appear to the external surfaces. Greasing must be repeated after every 8 working hours of the link.

**NOTICE! The link is delivered ungreased. It should be well greased before taking into exploitation!**

# Swing damper BR20KS

## List of parts



Pos.	Part	Title	BR20KS/45	BR20KS/35	BR20KS/30	Notes
1	BR20KS.001LA	Link	1	1	1	
2	BR20K.002-01	Pin	1	1	1	
3	BR20K.003-01	Brake cone	2	2	2	
4	BR20K.004-01	Pusher cone	2	2	2	
5	BR20K.005	Bushing	1	1	1	
6	BR20K.006	Pusher	1	1	1	
7	BR20K.007-01	Adjustment nut	1	1	1	
8	BR20K.008-01	Locknut	1	1	1	
9	BR20K.009	Bushing	1	-	-	
	BR20K.01		-	2	-	
	BR20K.02		-	-	2	
10	G2092-00001	Disc spring	1	1	1	
11	G2092-00002	Disc spring	1	1	1	
12	M2610-00000	Grease nipple	2	2	2	

Sheet 2 of 2

13.07.2017